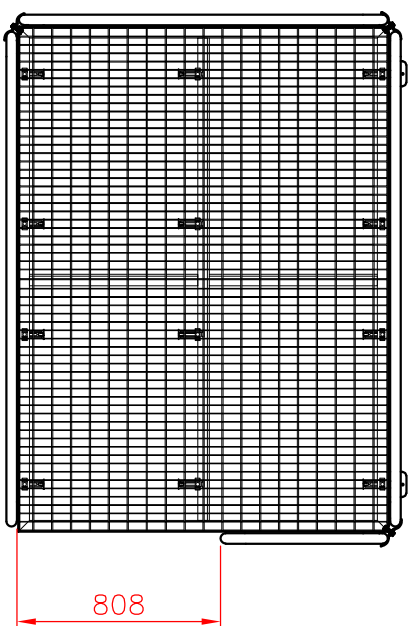
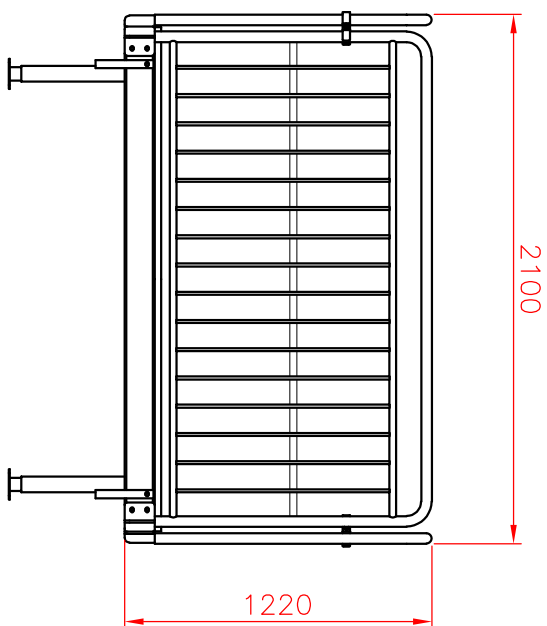
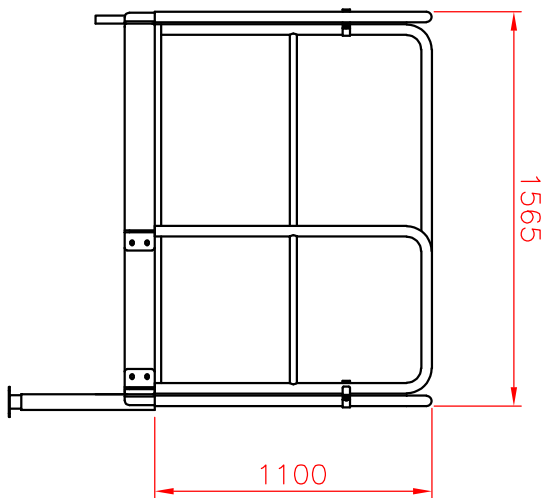



WELAND ALUMINIUM AB  
 This document must not be copied without our written permission and the contents thereof must not be imported to a third party nor be used for any unauthorized purpose. Controvention will be prosecuted.



Nr.	Ant.	Ändring och/eller medd.-nr	Datum	Inf.	Godk.	
-	-	-	-	-	-	
Det.nr	Ant.	Benämning		Material	Mod.nr.ämne dimension	Anm.
Konstr.	Ritad	Kop.	Kontr.	Stand.	Format	Skala
-	AA	-	-	-	A4	1:30
		<b>MIDGÅRD STÅL</b> <b>HÅLLPLATSBRYGGA</b>				
BJÖRNSTORPSVÄGEN 2 S-42 30 ALINGSÅS TEL +46 (0)472-445 00						
Objektnummer		Generell tolerans		Ritningsnummer		
				MIDGÅRD STÅL		
Datum				Rev.		
160407				-		