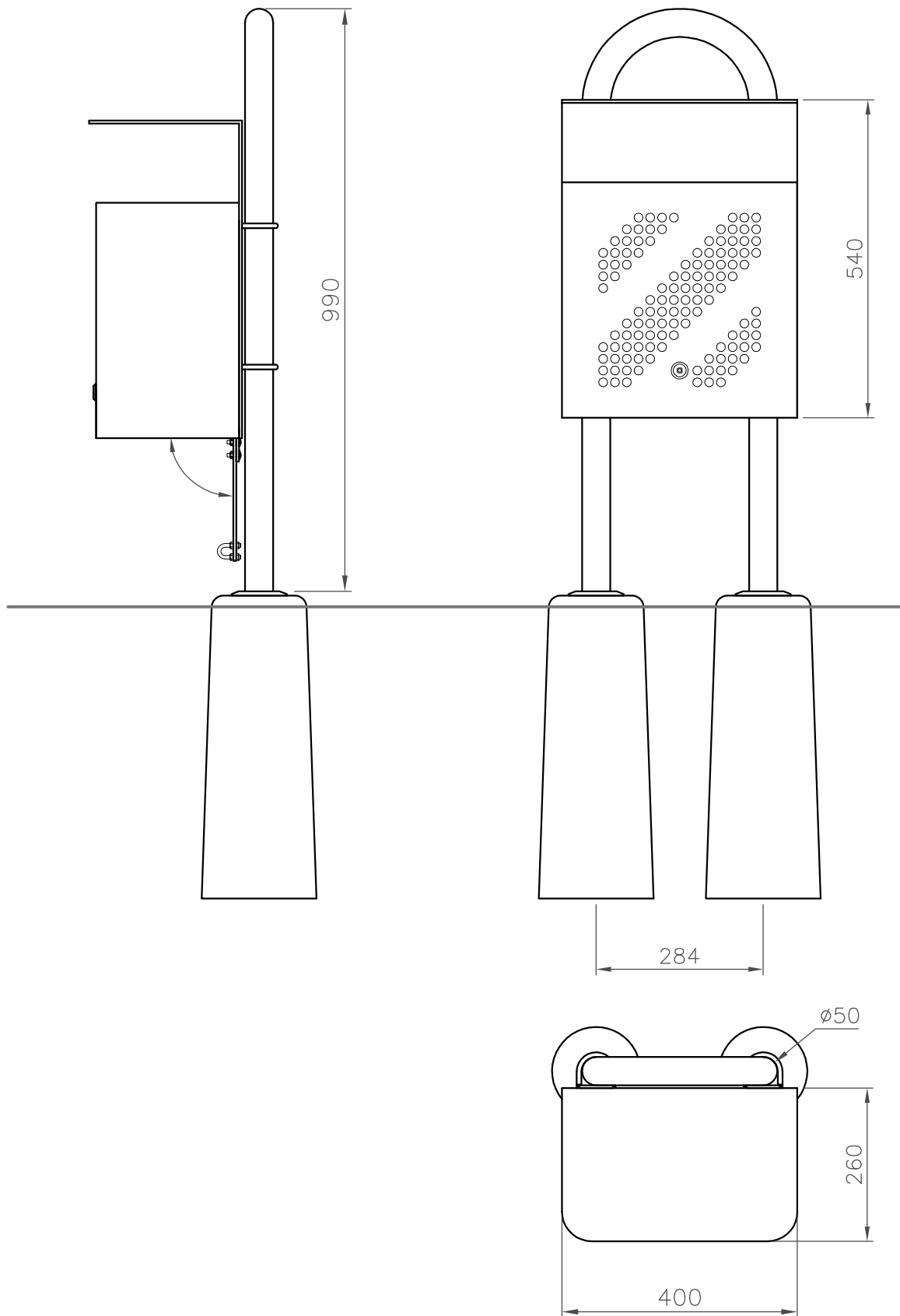



Nr.	Ant.	Ändring och/eller medd.-nr	Datum	Inf.	Godk.
-----	------	----------------------------	-------	------	-------



WELAND ALUMINIUM AB  
 This document must not be copied without our written permission and  
 the contents thereof must not be imparted to a third party nor be  
 used for any unauthorized purpose. Contravention will be prosecuted.

-		-		-		-		-		
Det.nr	Ant.	Benämning				Material	Mod.nr ämne Dimension	Anm.		
Konstr. -	Ritad AÅ	Kop. -	Kontr. -	Stand. -	Format A4	Skala 1:8	Generell tolerans -			
 <b>OMNI TRAFIKMILJÖ</b> BJÖRNSTORPSVÄGEN 2 TFN 0472-44500 342 30 ALVESTA FAX 0472-40029		HEDE PAPPERSKORG inkl båge och plintar 500-20201000					Objektnummer -	Datum 20121114		
							Ritningsnummer HEDE inkl båge		Rev. -	