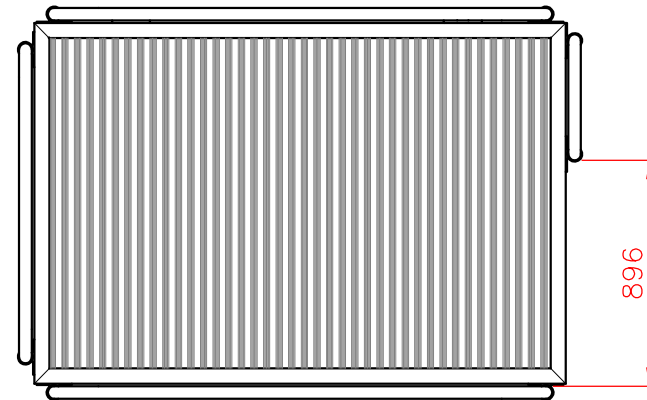
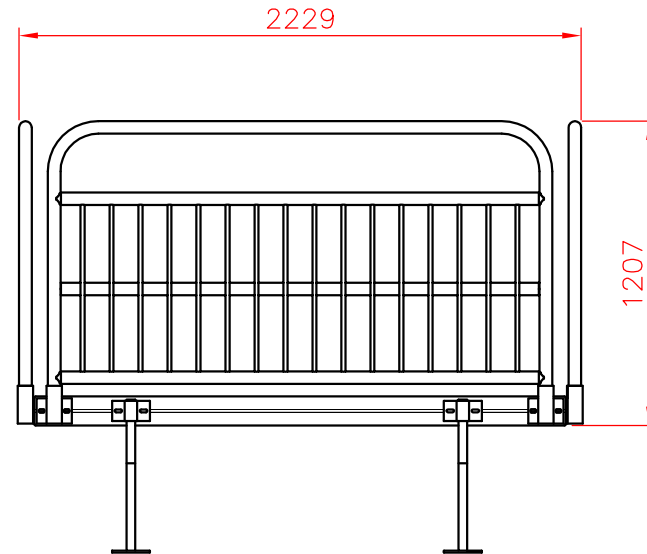
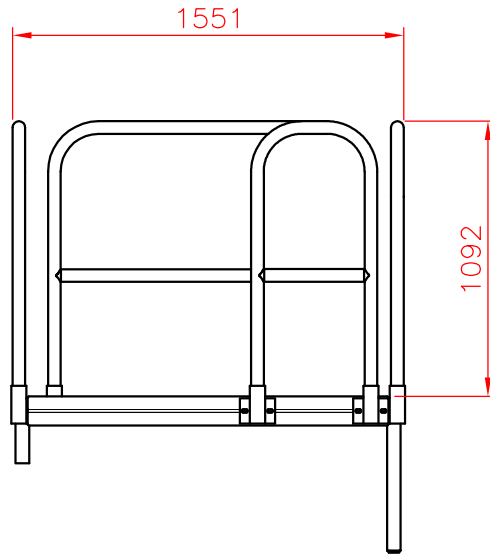



WELAND ALUMINIUM AB

This document must not be copied without our written permission and the contents thereof must not be imparted to a third party nor be used for any unauthorized purpose. Contravention will be prosecuted.



-	-	-	-	-	-	-	-
Det.nr	Ant.	Benämning			Material	Mod.nr.ämne dimension	Anm.
Konstr.	Ritad	Kop.	Kontr.	Stand.	Format	Skala	Generell tolerans
-	AÅ	-	-	-	A4	1:30	-
 <b>OMNI TRAFIKMILJÖ</b>			MIDGÅRD ALUM HÅLLPLATSBRYGGA			Objektnummer	Datum
BJÖRNSTORPSVÄGEN 2 342 30 ALVESTA			TFN 0472-44500 FAX 0472-40029			-	160407
Nr.	Ant.	Ändring och/eller medd.-nr	Datum	Inf.	Godk.	Ritningsnummer	Rev.
						MIDGÅRD ALUM	-

Nr.	Ant.	Ändring och/eller medd.-nr	Datum	Inf.	Godk.
-----	------	----------------------------	-------	------	-------